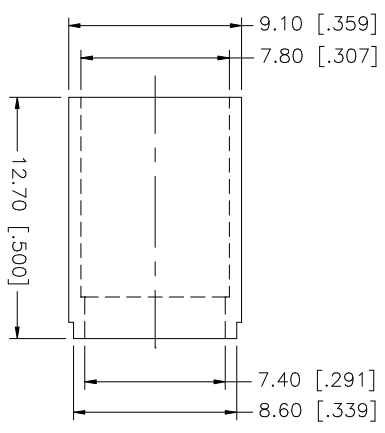
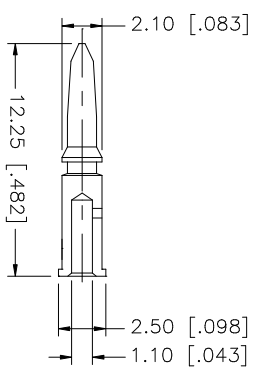
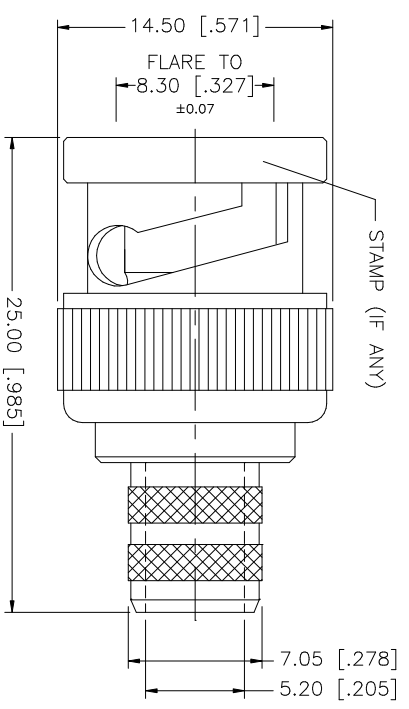
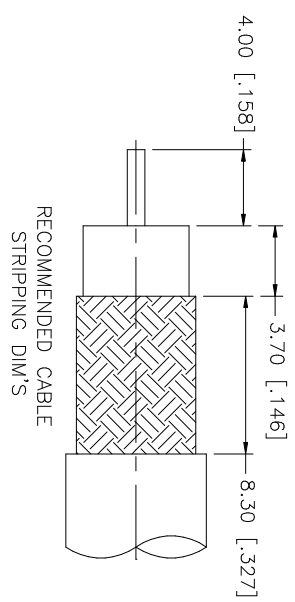


| REV. | DATE | DESCRIPTION |
|------|----------|-----------------------|
| A | 04/05/03 | UPDATE DRAWING FORMAT |



CRIMP NOTES:

1. CRIMPED FERRULE
HEX CRIMP SIZE .319"
2. CRIMPED CONTACT PIN
HEX CRIMP SIZE .068"

| NO. | DESCRIPTION | MATERIAL | FINISH | QTY | UNLESS OTHERWISE SPECIFIED DIMENSIONS ARE IN MILLIMETERS. DIMENSIONS IN [] ARE IN INCHES AND FOR CUSTOMER REFERENCE ONLY. TOLERANCES FOR MILLIMETERS ARE: | APPROVALS | DATE | PART DESCRIPTION | | |
|-----|-------------|----------|---------|-----|--|-------------------|------------|---|--------|--------|
| 8 | | | | | 0.5 - 8mm ± 0.20mm | | | Amphenol Connex BNC CRIMP PLUG (FOR BELDEN 9248 - RG-6/U TYPE) 112565 | | |
| 7 | | | | | 8 - 30mm ± 0.40mm | DRAWN | 04/05/03 | | | |
| 6 | FERRULE | COPPER | NICKEL | 1 | 30 - 120mm ± 0.50mm | CHECKED | | | | |
| 4 | GASKET | RUBBER | RED | 1 | UNLESS OTHERWISE SPECIFIED TOLERANCES FOR INCHES ARE: | ISSUED | | | | |
| 3 | INSULATOR | DELRIN | NATURAL | 1 | .020 - .315 = ± 0.007" | SHEET | 1 OF 1 | | | |
| 2 | CONTACT PIN | BRASS | GOLD | 1 | .315 - 1.180 = ± 0.015" | CAD FILE | | | | |
| 1 | SHELL/BODY | BRASS | NICKEL | 1 | 1.180 - 4.724 = ± 0.020" | C:/112/112565.DWG | | | | |
| | DESCRIPTION | | | | DO NOT SCALE DRAWING | DWG. NO. | 112565.DWG | | REV. A | SIZE A |